

EXTERNAL NETWORK UNIT

FW357A XNU

DESCRIPTION

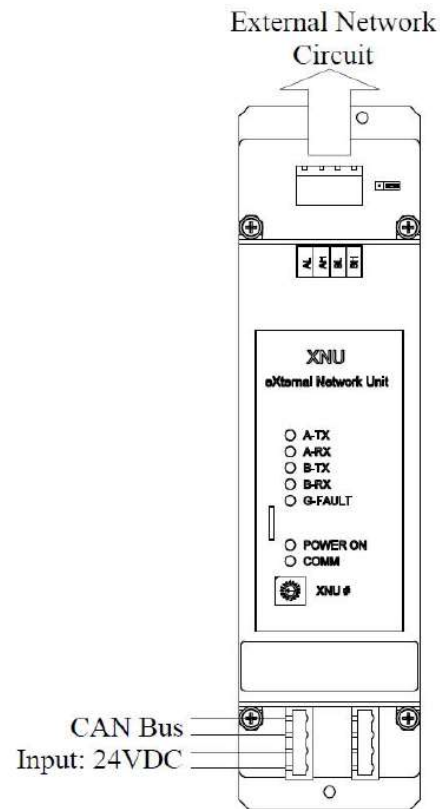
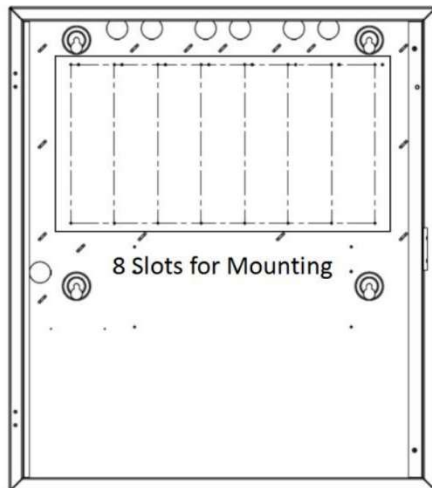
The FW357A is a subassembly of the FW106 series FACP (Fire Alarm Control Panel). It provides two CAN bus terminals to communicate with panels and annunciators in a Network to form a fire emergency detection and notification network system. The address is set by the rotary switch on the front cover. The valid address is 1. It meets the UL864 10th Edition standard and the ULC-S527 3rd Edition standard. FW357A provides both Class X and Class B wiring.

Setup 1: A maximum of 32 panels in Class X wiring and a maximum of 78 annunciators in Class B wiring can be connected simultaneously. (Maximum total of 110 nodes for panels and annunciators combined)

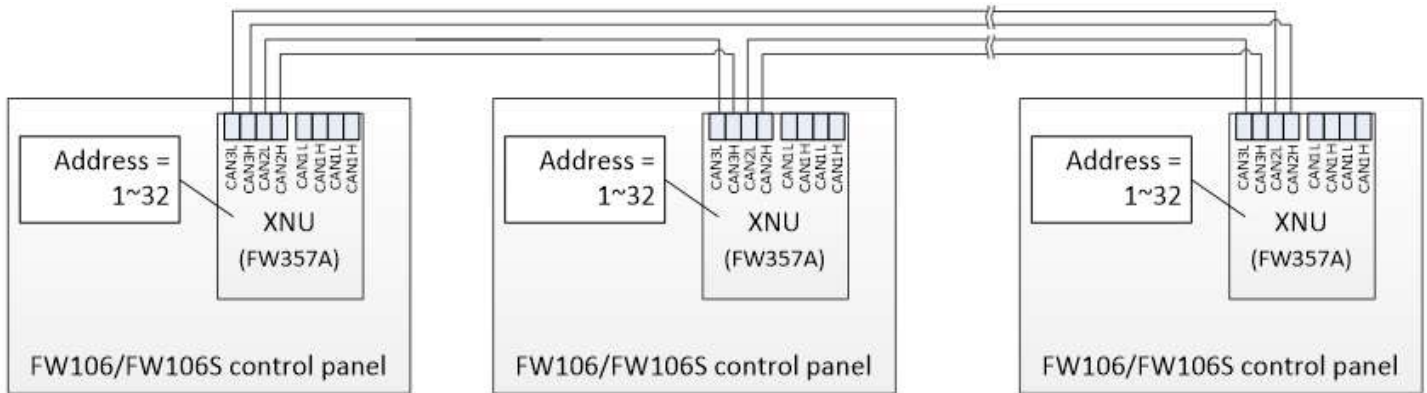
Setup 2: A maximum of 110 panels/annunciators in Class B wiring

INSTALLATION

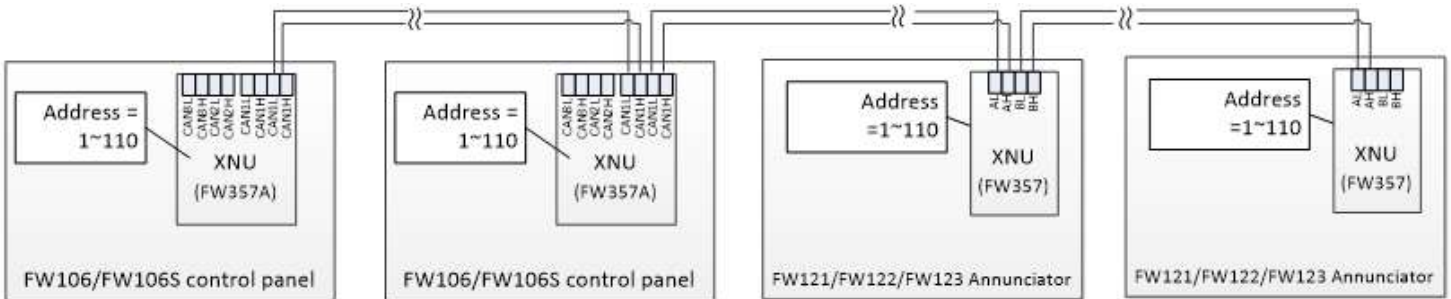
- 1) Remove all system power before installation, first the battery then AC. (To power up, connect the AC first, then the battery.)
- 2) Mount FW357A XNU onto the backbox of the FW106 FACP using two #4-40 screws provided, see Figure 1. There are 8 identical slots for the installation in the backbox. They are shared by the FW327 ALU, the FW337 NOU, the FW347 ROU (see figure 1)
- 3) Connect the FW357A with the FW201 AMI and/or other units through the two 4-pin terminals, for CAN Bus and Input: 24VDC, using the wires and terminals provided and terminals provided (see Figure 2.)



Class X



Note: Class X is only supported by FW357A and only for panel communication.



Class B


SPECIFICATION

XNU	
Nominal Voltage	24 VDC
Voltage Range	20.4 to 26.4 VDC
Standby Current	46 mA
Alarm Current	46 mA
Operating Temperature	32°F to 120°F (0°C to 49°C)
Operating Humidity	0% to 93% RH
Dimension	215mm (L) x 55mm (W) x 50.3mm (H)
Weight	10.2 Oz (289 g)

CATALOG NUMBER TO ORDER

Model	Description
FW357A	External Network Unit

ATTENTION

 The product must be used within its published specifications and properly installed, operated, and maintained, following these instructions. Users are solely responsible for determining whether a product is suitable for the user's purposes or achieves the intended results. Read the instructions carefully before using this product. Failure to comply with any of the instructions, cautions, and warnings could result in improper application, installation, and/or operation of these products in an emergency.

NOTE

Do not paint this unit.

Any material extrapolated from this document or Maple Armor's instructions or other materials describing the product for promotional or advertising purposes, or any other purpose, including the description of the application, the use, installation, and testing of the product is the sole